



tt532

Multispot laser

for all your retinal needs

your laser specialist

meridian 
medical

tt532

SUPERIOR QUALITY & LONGEVITY

Using the highest quality components Meridian reserves its best laser cavities for our premium laser range.

We have carefully partnered with the top ophthalmic industry manufacturers to include in our multipot range the absolute best quality components from Switzerland and Europe.

Meridian's propriety scanning systems feature the fastest galvanometers on the market, assuring perfect patterns and laser quality at all times, these systems meticulously integrated in our facilities, provide the best and most stable integration platform combined with Haag-Streit slit lamps.

TT range peripheral fibres and cables are enclosed for their protection, and all the electronics are carefully guarded inside a dust-free aluminium case.



tt532

USABILITY

Designed by European retinal specialists, TT range offers a high level of practical and relevant features:

- Retinal projection: laser settings, laser power, pattern selection, size and rotation can be observed through the oculars without the need of removing the eyes from the binoculars. Maximising the efficiency of the surgeon when is performing the treatment.
- Our proprietary smart wheel controller makes the laser operation fast, easy, and Intuitive.
- All laser parameters (e.g. power, pattern, duration) can be swiftly modified using the smart wheel or through its touch screen.
- These advance features help to speed up the treatment time and reduce patient chair time.



your laser specialist

tt532

SAFETY

Meridian multispot range feature the highest range of safety features in pattern laser photocoagulation.

- Restricted pattern size by 2x2.
- Automatic fluence calculation combined with spot size control and laser lens power.
- Restricted total time of pattern delivery to 0.7 seconds.
- Retinal outline projection of patterns to ensure the visibility of tissue and grid location.
- Pattern delivery can be stopped by releasing the foot pedal.
- The table height is automatically locked when the laser is in “ready mode”.



tt532

FLEXIBILITY & COMFORT

We understand customers like to have the option and control, if Haag-Streit BQ 900 is not your preferred bio-microscopy we can provide our pattern lasers with CSO SL 9900.

All Meridian systems are installed and calibrated by our worldwide network of factory trained distributors and engineers.

TT range slit lamp scanners ensure excellent retina illumination and laser delivery.

Meridian offers the flexibility of 3 multispot models to cater for any customer needs.



tt532

CLINICAL INDICATION



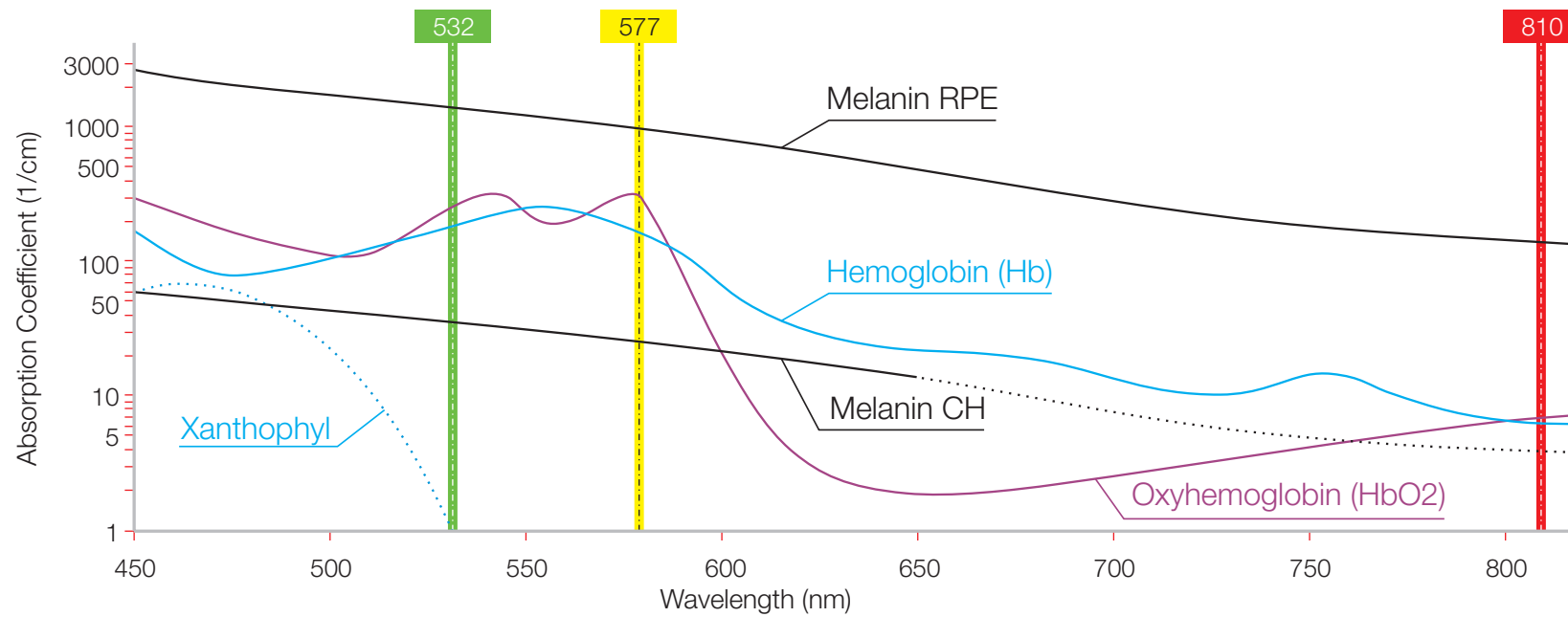
Meridian's multispot laser range has been designed to satisfy the needs of retinal photocoagulation, from proliferative diabetic retinopathy, macular oedema to tears and detachments, our lasers will deliver superb laser quality with the highest optical quality available in the industry.

Whatever your treatment parameter preferences are, Meridian's multispot range, offers you solutions from continuous wave to Shortpulse technology, in single and pattern delivery modalities.



WAVELENGTH BENEFITS – WHY 532 NM?

Green laser of 532nm wavelength is the gold standard in photocoagulation, its overall absorption across all pigments makes it the perfect selection to treat retinal disorders in the periphery and in the central retinal area (away from the macula).



tt532

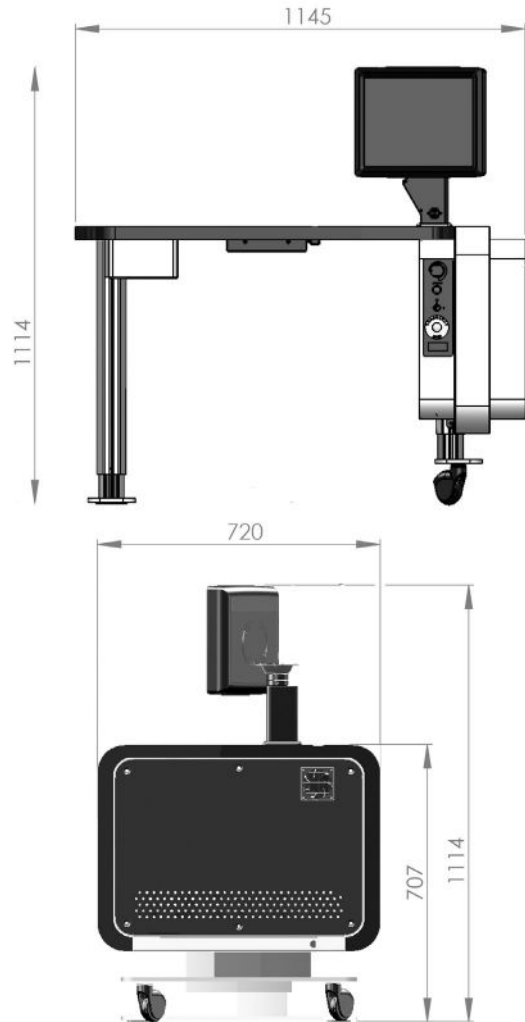
STANDARD ACCESSORIES

Meridian multispot range comes standard with

- Scanning slit lamp delivery system
- Footswitch
- Laser goggles (x1)

TT range includes the two-column table for great patient access.





TECHNICAL SPECIFICATIONS

| | |
|--------------------|---|
| Device description | Multispot laser tt532 |
| Laser | OPSL 532 nm |
| Laser Power | 3000 mW, restricted to 2000 mW |
| Pulse duration | 10 - 650 ms |
| Spot sizes | 50 µm, 100 µm, 200 µm, 300 µm and 400 µm |
| Aiming beam | 635 nm, adjustable brightness. Pattern projected as spot or outline |
| Patterns | Square, Circle, Arc, Sector, Line, Spot (repetition) |
| User interface | 15" Touch screen and Smart Wheel |
| Slit lamp | Haag-Streit BQ 900 or CSO SL 9900 |
| Electric | 230 V 50 Hz (Voltage options for different countries are available) |
| Net Weight | 138 kg |
| Gross Weight | 208 kg |





Head office

Meridan Medical Group

Tel.: +41 33 334 11 11
Fax: +41 33 334 11 19
info@meridian.ch
www.meridian.ch

Switzerland

Meridian AG

Bierigutstrasse 7
CH-3608 Thun

Slovenia

Meridian Medical d.o.o

Plemljeva 8
1210 Ljubljana

Finland

Meridian Medical Oy

Elannotie 5
01510 Vantaa